

**UNITED STATES
PATENT AND TRADEMARK OFFICE**



The Patent Office and Its Publications

Robert Berry, Manager
Tiffany Mair, Librarian
Patent & Trademark Resource Center Program
United States Patent and Trademark Office
October 18, 2018

I. The Modern Utility Patent Document and Its Architecture

A. Front Page Information

B. The Specification, Drawings, and Claims

C. USPTO's Patents Full-Text Database



US009701149B2

(12) **United States Patent**
Huotari

(10) **Patent No.:** US 9,701,149 B2
(45) **Date of Patent:** Jul. 11, 2017

(54) **BOOKBINDING DEVICE HAVING A GLUE CARTRIDGE AND A GLUE CARTRIDGE RECEIVING UNIT**

(58) **Field of Classification Search**
CPC B42C 9/00; B42C 9/0012; B42C 9/0043
(Continued)

(71) Applicant: **Mapping Kommandittiyhtiö L. Huotari**, Espoo (FI)

(56) **References Cited**
U.S. PATENT DOCUMENTS

(72) Inventor: **Isakki Huotari**, Espoo (FI)

(73) Assignee: **Mapping Kommandittiyhtiö L. Huotari** (FI)

4,376,008 A * 3/1983 Lauri et al.
5,221,112 A * 6/1993 Holmberg B42C 5/00
2005/0152771 A1 * 7/2005 Huotari B42C 9/0018
412/37
412/37

(*) Notice: Subject to any disclaimer, the term of this patent is extended or adjusted under 35 U.S.C. 154(b) by 350 days.

(57) **FOREIGN PATENT DOCUMENTS**
IT EP 1876031 A1 * 1/2008 B42C 9/0012
IT EP 2133213 A1 * 12/2009 B42C 9/00
(Continued)

(21) Appl. No.: 14/375,635

(22) PCT Filed: Feb. 4, 2013

(86) PCT No.: PCT/IB2013/050927
§ 371 (c)(1),
(2) Date: Jul. 30, 2014

OTHER PUBLICATIONS

(87) PCT Pub. No.: WO2013/114344
PCT Pub. Date: Aug. 8, 2013

International Search Report for PCT Application PCT/IB2013/050927, EPO, Apr. 18, 2013.

Primary Examiner—Kyle Grabowski

(57) **ABSTRACT**

A glue cartridge (130) comprises a glue tank (101), a rotatable glue spreading roller (104) connected to the glue tank, which is arranged directly below the glue tank (101) and at least one rotation means (106, 107) usable from outside the glue cartridge (130) for rotating the glue spreading roller (104). The glue spreading roller (104) of the glue cartridge is designed so that the form of the glue spreading roller (104) prevents glue from escaping from the glue tank (101) when the glue spreading roller (104) is in place and takes glue from the glue tank (101) when the glue spreading roller (104) is rotated. A block (1360) of sheets to be bound to form a book is set in a bookbinding device (1300), and glue is spread on the spine (1362) of the block (1360) in such a way that glue is obtainable from an exchangeable glue cartridge (130) by using a receiving unit (150) for the glue cartridge (130).

(Continued)

12 Claims, 10 Drawing Sheets



A Utility Patent grants a limited monopoly to exclude others from making, using, or selling an invention

Whoever invents or discovers any **new** and **useful**

process, machine, manufacture, or composition of matter,

or any new and useful **improvement** thereof,

may obtain a patent therefor, subject to the conditions and requirements of this title.

35 U.S.C. §101.

(12) **United States Patent**
Huotari

(54) **BOOKBINDING DEVICE HAVING A GLUE CARTRIDGE AND, A GLUE CARTRIDGE RECEIVING UNIT**

(71) Applicant: **Maping Kommandiittiyhtiö L. Huotari, Espoo (FI)**

(72) Inventor: **Iisakki Huotari, Espoo (FI)**

(73) Assignee: **Maping Kommandiittiyhtiö L. Huotari (FI)**

A Utility Patent document includes Front Page information & a Specification of the disclosed invention

Front Page:

- **Identifies the document**
- **Identifies the inventor(s)**
- **Identifies the invention**
- **Provides classification information**
- **Includes an abstract and a drawing**

Specification:

- **Discloses technological know-how with sufficient specificity to allow a person having ordinary skill in the art to make and use the invention**
- **References drawings of the invention**
- **Concludes with and supports the inventors' claims**

Much of the Front Page information includes recognizable information such as Patent Number and Inventor Name:



US009701149B2

(12) **United States Patent**
Huotari

(10) **Patent No.:** **US 9,701,149 B2**

(45) **Date of Patent:** **Jul. 11, 2017**

(54) **BOOKBINDING DEVICE HAVING A GLUE CARTRIDGE AND, A GLUE CARTRIDGE RECEIVING UNIT**

(58) **Field of Classification Search**
CPC B42C 9/00; B42C 9/0012; B42C 9/0043
(Continued)

(71) **Applicant:** **Maping Kommandiittiyhtiö L. Huotari**, Espoo (FI)

(56) **References Cited**

U.S. PATENT DOCUMENTS

(72) **Inventor:** **Iisakki Huotari**, Espoo (FI)

4,376,008 A 3/1983 Lauri et al.
5,221,112 A * 6/1993 Holmberg B42C 5/00
412/37
2005/0152771 A1 * 7/2005 Huotari B42C 9/0018
412/37

(73) **Assignee:** **Maping Kommandiittiyhtiö L. Huotari** (FI)

(*) **Notice:** Subject to any disclaimer, the term of this patent is extended or adjusted under 35 U.S.C. 154(b) by 350 days.

FOREIGN PATENT DOCUMENTS

(21) **Appl. No.:** **14/375,635**

IT EP 1876031 A1 * 1/2008 B42C 9/0012
IT EP 2133213 A1 * 12/2009 B42C 9/00
(Continued)



There is also some technical bibliographic information on US Patents, specifically INIDS and Kind Codes



US009701149B2

INIDs

(12) **United States Patent**
Huotari

INIDs

(10) **Patent No.:** **US 9,701,149** **B2**
(45) **Date of Patent:** **Jul. 11, 2017**

KIND CODE

(54) **BOOKBINDING DEVICE HAVING A GLUE CARTRIDGE AND, A GLUE CARTRIDGE RECEIVING UNIT**

(58) **Field of Classification Search**
CPC B42C 9/00; B42C 9/0012; B42C 9/0043
(Continued)

(71) Applicant: **Maping Kommandiittiyhtiö L. Huotari**, Espoo (FI)

(56) References Cited

U.S. PATENT DOCUMENTS

(72) Inventor: **Iisakki Huotari**, Espoo (FI)

4,376,008 A 3/1983 Lauri et al.
5,221,112 A * 6/1993 Holmberg B42C 5/00
412/37
2005/0152771 A1 * 7/2005 Huotari B42C 9/0018
412/37

(73) Assignee: **Maping Kommandiittiyhtiö L. Huotari** (FI)



INIDs & Kind Codes

INIDs

- **Internationally agreed Numbers for the Identification of (bibliographic) Data**
- **Permit identification of relevant information without a knowledge of document language**
- **On US Patent since 08/04/1970**
- **Based on World Intellectual Property Organization (WIPO) Standard ST. 9**
- **See Manual of Patent Examining Procedure (MPEP) §901.05(b)**

KIND CODES

- **Are a letter—and in some instances also a number—used to distinguish the kind of patent document (utility patent, plant patent, design patent, application, etc.)**
- **On US Patents since 01/02/2001**
- **Are based on WIPO Standard ST. 16**
- **See MPEP §901.04(a)**

Front Page information includes Classification information and a Field of Search memorializing the Examination

(51) **Int. Cl.**

B42C 9/00 (2006.01)
B05C 1/00 (2006.01)
B05C 1/08 (2006.01)

(52) **U.S. Cl.**

CPC *B42C 9/0012* (2013.01); *B05C 1/003*
(2013.01); *B05C 1/006* (2013.01); *B05C*
1/0808 (2013.01);

(Continued)

(58) **Field of Classification Search**

CPC *B42C 9/00*; *B42C 9/0012*; *B42C 9/0043*
(Continued)

(56) **References Cited**

U.S. PATENT DOCUMENTS

4,376,008	A	3/1983	Lauri et al.	
5,221,112	A *	6/1993	Holmberg <i>B42C 5/00</i> 412/37
2005/0152771	A1 *	7/2005	Huotari <i>B42C 9/0018</i> 412/37

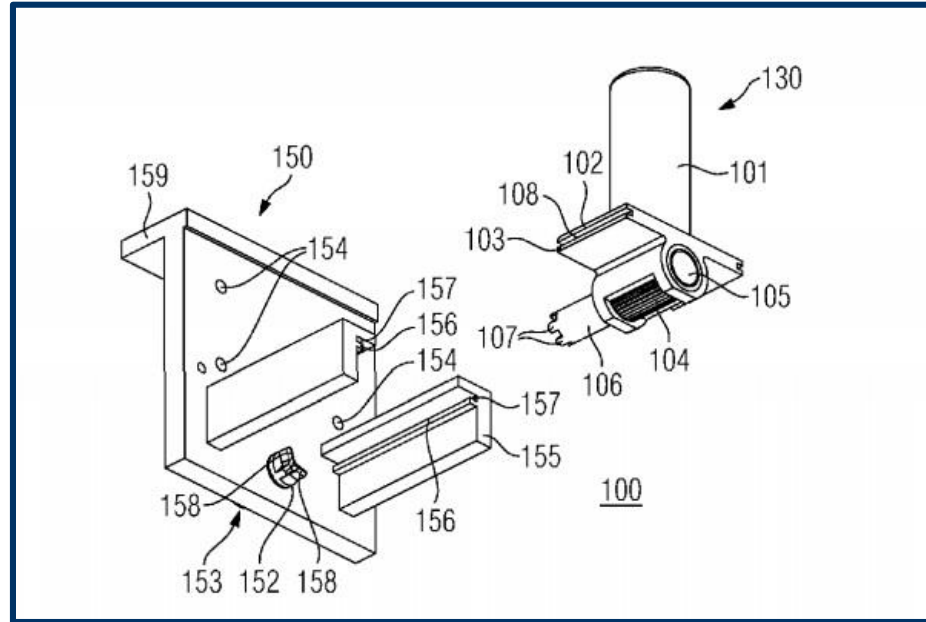
FOREIGN PATENT DOCUMENTS

Front Page information also includes an Abstract, providing the gist of the technological know-how disclosed, and one of the Drawings

(57)

ABSTRACT

A glue cartridge (130) comprises a glue tank (101), a rotatable glue spreading roller (104) connected to the glue tank, which is arranged directly below the glue tank (101) and at least one rotation means (106, 107) usable from outside the glue cartridge (130) for rotating the glue spreading roller (104). The glue spreading roller (104) of the glue cartridge is designed so that the form of the glue spreading roller (104) prevents glue from escaping from the glue tank (101) when the glue spreading roller (104) is in place and takes glue from the glue tank (101) when the glue spreading roller (104) is rotated. A block (1360) of sheets to be bound to form a book is set in a bookbinding device (1300), and glue is spread on the spine (1362) of the block (1360) in such a way that glue is obtainable from an exchangeable glue cartridge (130) by using a receiving unit (150) for the glue cartridge (130).



A US Patent Document will also include a Specification that would inform a person having ordinary skill in the art as to how to make or use the invention.

The Specification will:

- Describe the problem the invention solves
- Describe practical applications for the invention
- Reference the drawings
- Support the claims

1 BOOKBINDING DEVICE HAVING A GLUE CARTRIDGE AND, A GLUE CARTRIDGE RECEIVING UNIT

TECHNICAL FIELD

5

The invention is related to the field of bookbinding and more particularly, to a bookbinding unit having an exchangeable glue cartridge mounted in a receiving unit such that a block of sheets to be bound to form a book is set in a bookbinding device and glue is spread on the spine of the block in such a way that glue is obtainable from an exchangeable glue cartridge mounted in the glue cartridge receiving unit.

10

15

BACKGROUND INFORMATION

The demand for hot melt glue binding, i.e. perfect binding, equipment, such as of the type shown in international patent applications WO 03/064169 A or U.S. Pat. No. 5,376,008 A of the present applicant, has increased considerably in recent times. This is partly a result of the rapid development of digital printing technology. Using this type of equipment it is possible to produce books in short runs, or even in individual copies, in a way that is economically reasonable.

20

25

Patent documents typically include several drawings on numbered sheets

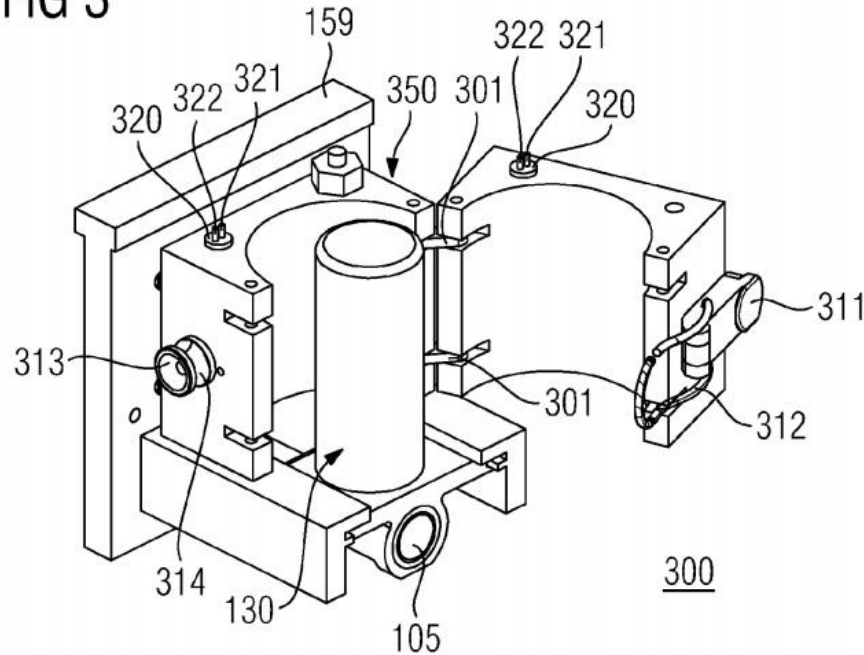
U.S. Patent

Jul. 11, 2017

Sheet 2 of 10

US 9,701,149 B2

FIG 3



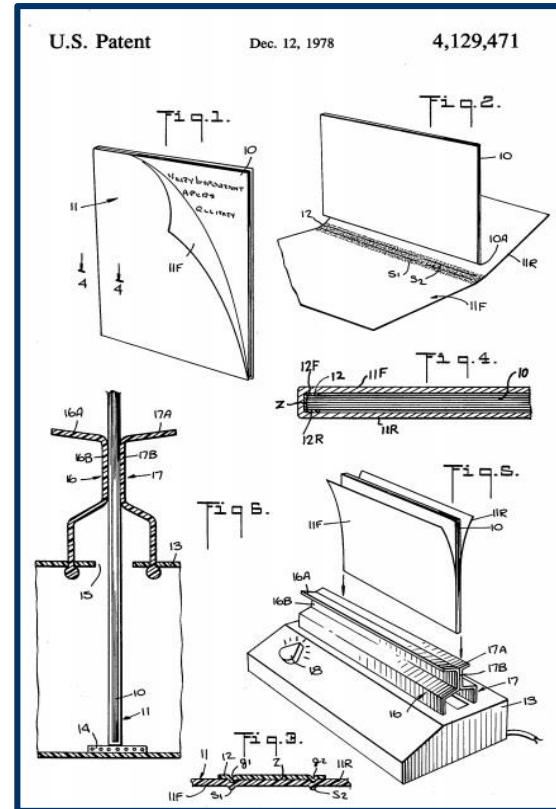
The Claims precisely define the scope of the protection granted by law

The invention claimed is:

1. A bookbinding device (1300) in which a block (1360) of sheets to be bound to form a book is placeable, and with the aid of which glue is spreadable on the spine (1362) of the block (1360), the bookbinding device (1300) comprising:
 - a glue cartridge (130) comprising:
 - a glue tank (101) that is essentially in the form of a protrusion from a platform (110) of the glue cartridge and where at least two sides of the platform (110) have a fastening device (102, 103, 108) to allow the shape-limited fastening of the glue cartridge (130);
 - a rotatable glue spreading roller (104) connected to the glue tank, which is arranged directly below the glue tank (101); and
 - at least one rotation means (105, 106, 107) usable from outside the glue cartridge (130) for rotating the glue spreading roller (104);

A Specification tells the story of an invention. For US 4,129,471 granted Dec. 12, 1978, we learn that:

- A **problem** in the bookbinding industry is **binding small lots** (under 100 copies).
- Technologies for this do exist, but they require **skill**, are **time-consuming**, or are **inefficient**.
- The technology set forth in the application solves these problems by using a **flexible panel** of cover material with score lines and a band of **hot-melt adhesive** that is applied to extend over the backbone area and across the score lines.
- While the specification discloses a **preferred embodiment**, there are many modifications that can be made to this invention such as using laser to ensure the stack lies against the band of adhesive.



Patents documents can be accessed using the Full Text (PatFT) available at www.uspto.gov under the Quick Links menu:

The screenshot shows the USPTO website homepage. At the top left is the USPTO logo and the text "UNITED STATES PATENT AND TRADEMARK OFFICE". To the right are links for "About Us", "Jobs", "Contact Us", and "MyUSPTO". Below this is a search bar with the text "Search uspto.gov" and a magnifying glass icon. A navigation menu below the search bar includes "Patents", "Trademarks", "IP Policy", and "Learning and Resources". A green "Quick links" button with a dropdown arrow is also present. The main content area has a blue background with the heading "I'm looking for..." and a search bar with the text "Search uspto.gov" and a "Search" button. Below the search bar is the text "For example, 'trademark abandonment', 'EFS-Web', or 'provisional patent application'". To the right of the search bar is a "Help Topic" section with a list of links: "General information concerning patents", "Patent forms", "Trademark basics", "Financial Manager", and "Fees and payment". At the bottom of the page are two white buttons: "Learn about the process" and "Fees and payment".



PatFT is the first choice in Quick Links under the Patents column:

The screenshot displays the USPTO website interface. At the top left is the 'uspto' logo and 'UNITED STATES PATENT AND TRADEMARK OFFICE'. On the top right are navigation links for 'About Us', 'Jobs', 'Contact Us', and 'MyUSPTO', along with a search bar for 'uspto.gov'. Below the header is a main navigation bar with 'Patents', 'Trademarks', 'IP Policy', and 'Learning and Resources'. A 'Quick links' dropdown menu is open, showing two columns of links. The 'Patents' column includes 'PatFT | AppFT Patent search' (highlighted with a pink bar), 'EFS-Web | Forms Patent filing', 'Private PAIR | Public PAIR Filing status', 'Pay maintenance fees Pay or look up maintenance fees', 'PTAB Patent Trial and Appeal Board', and 'Search assignment | Record'. The 'Trademarks' column includes 'TESS Search trademark database', 'TEAS Trademark filing', 'TSDR Status, documents, and certificates', 'TTAB | ESTTA | TTABVUE Trademark Trial and Appeal Board', and 'Search assignment | Record assignment Search recorded assignment and record ownership changes'. On the left side of the page, there is a search area with the text 'I'm looking for...' and a search bar containing 'Search uspto.gov'. Below the search bar is the text 'For example, "trademark abandonment", "EFS-Web", or "provisional pater' and a link 'Learn about the process'.



PatFT provides both Structured and Advanced search options

USPTO PATENT FULL-TEXT AND IMAGE DATABASE

[Home](#)[Quick](#)[Advanced](#)[Pat Num](#)[Help](#)[View Cart](#)

Data current through October 9, 2018..

Query [\[Help\]](#)

Term 1: in Field 1:

AND

Term 2: in Field 2:

Select years [\[Help\]](#)

1976 to present [full-text]

Patents from 1790 through 1975 are searchable only by Issue Date, Patent Number, and Current US Classification.
When searching for specific numbers in the Patent Number field, utility patent numbers are entered as one to eight numbers in length, excluding commas (which are optional, as are leading zeroes).

The Advanced search uses manually entered Field Codes

USPTO PATENT FULL-TEXT AND IMAGE DATABASE

[Home](#)
[Quick](#)
[Advanced](#)
[Pat Num](#)
[Help](#)
[View Cart](#)

Data current through October 9, 2018..

Query [\[Help\]](#)

Examples:
 ttl/(tennis and (racquet or racket))
 isd/1/8/2002 and motorcycle
 in/newmar-julie

Select Years [\[Help\]](#)

1976 to present [full-text] ▼

Patents from 1790 through 1975 are searchable only by Issue Date, Patent Number, and Current Classification (US, IPC, or CPC).

When searching for specific numbers in the Patent Number field, utility patent numbers are entered as one to eight numbers in length, excluding commas (which are optional, as are leading zeroes).

Field Code	Field Name	Field Code	Field Name
PN	Patent Number	IN	Inventor Name
ISD	Issue Date	IC	Inventor City
TTL	Title	IS	Inventor State
ABST	Abstract	ICN	Inventor Country
ACLM	Claim(s)	AANM	Applicant Name
SPEC	Description/Specification	AACI	Applicant City
CCL	Current US Classification	AAST	Applicant State
CPC	Current CPC Classification	AACO	Applicant Country
CPCL	Current CPC Classification Class	AAAT	Applicant Type
ICL	International Classification	LREP	Attorney or Agent
APN	Application Serial Number	AN	Assignee Name
APD	Application Date	AC	Assignee City

Each of these Field Codes links to relevant information in a help directory

Field Code	Field Name	Field Code	Field Name
PN	Patent Number	IN	Inventor Name
ISD	Issue Date	IC	Inventor City
TTL	Title	IS	Inventor State
ABST	Abstract	ICN	Inventor Country
ACLM	Claim(s)	AANM	Applicant Name
SPEC	Description/Specification	AACI	Applicant City
CCL	Current US Classification	AAST	Applicant State
CPC	Current CPC Classification	AACO	Applicant Country
CPCL	Current CPC Classification Class	AAAT	Applicant Type
ICL	International Classification	LREP	Attorney or Agent
APN	Application Serial Number	AN	Assignee Name
APD	Application Date	AC	Assignee City
APT	Application Type	AS	Assignee State
GOVT	Government Interest	ACN	Assignee Country
FMID	Patent Family ID	EXP	Primary Examiner
PARN	Parent Case Information	EXA	Assistant Examiner
RLAP	Related US App. Data	REF	Referenced By
RLFD	Related Application Filing Date	FREF	Foreign References
PRIR	Foreign Priority	OREF	Other References
PRAD	Priority Filing Date	COFC	Certificate of Correction
PCT	PCT Information	REEX	Re-Examination Certificate
PTAD	PCT Filing Date	PTAB	PTAB Trial Certificate
PT3D	PCT 371c124 Date	SEC	Supplemental Exam Certificate
PPPD	Prior Published Document Date	ILRN	International Registration Number
REIS	Reissue Date	ILRD	International Registration Date
RPAF	Reissued Patent Application Filing Date	ILPD	International Registration Publication Date
AFFF	130(b) Affirmation Flag	ILFD	Hague International Filing Date
AFFT	130(b) Affirmation Statement		

Claim(s) (ACLM)

This field contains the text of the patent claims. Claims point out and distinctly claim the subject matter which the applicant regards as the invention and define the scope of the patent protection.

TIP: Claims from both utility and design patents are included.

[Top](#)

Cooperative Patent Classification (CPC)

This field contains the Cooperative Patent Classification(s) to which the patent has been assigned.

TIP: To search for CPC C07H 19/10, you must not have any zeros ("0") in place of the space -- i.e., without leading zeros -- as follows: CPC/C07H19/10. Formatting your search in this field in any other way will result in an error.

[Top](#)

Current CPC Classification Class (CPCL)

This field contains the class-only parts of this patent's CPC classifications.

TIP: Searching by class-only (CPCL) is much more efficient than wild-card searching of full classifications (CPC) if you are only interested in broad area searches.

Many of the available fields correspond to Front Page information

	Field Name	Advanced Search Field Code	Example	Searchable from 1790 to 1975?
Patent Number	Patent Number	PN	PN/9701149	YES
Patent Date	Issue Date	ISD	ISD/7/11/2017	YES
Title of Invention	Title	TTL	TTL/bookbinding	NO
Applicant	Applicant Name	AANM	AANM/Kommandii\$	NO
Inventor	Inventor Name	IN	IN/Huotari	NO
Assignee	Assignee Name	AN	AN/Kommandii\$	NO
Cooperative Patent Classification	Current CPC Classification	CPC	CPC/B42C9/0012	YES
Abstract	Abstract	ABST	ABST/bookbinding	NO

A particularly effective search methodology is to use a CPC Classification Symbol to search within a CPC Class or Subgroup

CPC Symbols for Subgroups associated with US 9,701,149:

B42C 9/0012

B05C 1/003

B05C 1/006

B05C 1/0808

B05C 1/0813

B05C 1/0821

B42C 9/00

B42C 9/0018

B42C 9/0043

Classification Searching:

- Allows you to comprehensively search an area of technology, including documents published prior to 1976.
- Frees you from many of the limitations of searching using technical terms.

The CPC Scheme can be accessed via Quick Links:

The screenshot shows the USPTO homepage with the 'Quick links' dropdown menu open. The menu lists various services under 'Patents' and 'Trademarks'. Under 'Patents', the 'Classification' link is highlighted with a pink box. Other links include PatFT, AppFT, EFS-Web, Private PAIR, Pay maintenance fees, PTAB, Search assignment, and MPEP. Under 'Trademarks', links include TESS, TEAS, TSDR, TTAB, Search assignment, TMEP, and Updates and announcements. A 'Fees and Payment' section is also visible at the bottom of the menu.

The screenshot shows the 'Search Patent Classification Systems' page. The 'CPC' dropdown menu is highlighted with a pink box. Below it, the 'Access Classification Information by Symbol' form is shown, with the 'Scheme' dropdown menu highlighted by a pink arrow. The form includes fields for 'Select Classification System' (CPC selected), 'Enter Classification symbol' (B42C9/0012), 'Select Content' (Scheme selected), and 'Select output format' (HTML selected). A pink arrow points to the 'Scheme' dropdown with the text 'Access Scheme by Classification Symbol'.



The broadest level of CPC organization is the section level

The screenshot displays the USPTO Cooperative Patent Classification (CPC) website. The header includes the USPTO logo and navigation links for 'About Us', 'Jobs', and 'Contact Us'. Below the header, the title 'Cooperative Patent Classification' is followed by a navigation bar with links for 'CSD Home', 'CPC', 'USPC', 'Classification Revision', 'Advanced Search', 'Contacts', and 'Help'. A search bar on the left allows users to enter a symbol and click 'Go'. The main content area lists the sections of the CPC, each with a letter and a description:

Section	Description
CPC	COOPERATIVE PATENT CLASSIFICATION
A	HUMAN NECESSITIES
B	PERFORMING OPERATIONS; TRANSPORTING
C	CHEMISTRY; METALLURGY
D	TEXTILES; PAPER
E	FIXED CONSTRUCTIONS
F	MECHANICAL ENGINEERING; LIGHTING; HEATING; WEAPONS; BLASTING
G	PHYSICS
H	ELECTRICITY
Y	GENERAL TAGGING OF NEW TECHNOLOGICAL DEVELOPMENTS; GENERAL TAGGING OF CROSS-SECTIONAL TECHNOLOGIES SPANNING OVER SEVERAL SECTIONS OF THE IPC; TECHNICAL SUBJECTS COVERED BY FORMER USPC CROSS-REFERENCE ART COLLECTIONS [XRACs] AND DIGESTS

The footer of the website includes the USPTO logo, 'UNITED STATES PATENT AND TRADEMARK OFFICE', and navigation links for 'BROWSE BY TOPIC' (Patents), 'ABOUT THIS SITE' (Accessibility), 'USPTO BACKGROUND' (Federal Activity Inventory Reform Act), and 'FEDERAL GOVERNMENT' (Regulations.gov). A circular seal of the United States Patent and Trademark Office is also visible in the bottom right corner of the footer area.

- Reading relevant subsections of the CPC Scheme is one way a researcher can quickly get up-to-speed on an area of technology.
- Because CPC is highly nuanced, a researcher will usually need to look at several relevant subsections.

CPC Hierarchy—B42C 9/0012

- Section (1 letter)
 - Class (2 digits)
 - Subclass (1 letter)
 - Group (1-3 digits)
 - Subgroups (2-4 digits)

- B Performing Operations (Etc.)
 - B42 Bookbinding (Etc.)
 - B42C Bookbinding
 - B42C9/ Applying glue or adhesive peculiar to bookbinding
 - /0006
 - by applying adhesive to a stack of sheets
 - /0012
 - with a roller

Note that the subgroup 0012 falls within the subgroup 0006.

The CPC Scheme includes definitions and cross-references.

Search Symbol

Scheme ▾

Q

Outline

Color

Curly Brackets

References

Date Revised

QUICK LINKS:

PDF

Scheme

CPC-to-IPC

Definition

<p>B42C 7/008</p> <p>B42C 7/009</p> <p>D - B42C 9/00</p> <p>D - B42C 9/0006</p> <p>- B42C 9/0012</p> <p>- B42C 9/0018</p> <p>B42C 9/0025</p> <p>- B42C 9/0031</p> <p>B42C 9/0037</p> <p>- B42C 9/0043</p> <p>B42C 9/005</p> <p>- B42C 9/0056</p> <p>- B42C 9/0062</p> <p>B42C 9/0068</p> <p>B42C 9/0075</p> <p>- B42C 9/0081</p> <p>B42C 9/0087</p> <p>D B42C 9/0093</p> <p>D - B42C 9/02</p> <p>B42C 9/025</p> <p>D - B42C 11/00</p> <p>B42C 11/02</p> <p>- B42C 11/04</p> <p>B42C 11/045</p> <p>B42C 11/06</p> <p>D - B42C 13/00</p>	<p>. {Conveying means between operation stations}</p> <p>. {Decorating book covers}</p> <p>Applying glue or adhesive peculiar to bookbinding</p> <p>. {by applying adhesive to a stack of sheets}</p> <p>. . {with a roller (B42C 9/0043 takes precedence)}</p> <p>. . . {for binding stacks of sheets one at the time}</p> <p>. . . . {and subsequently applying a cover (casing-in B42C 11/00)}</p> <p>. . . . {with continuous flow of stacks of sheets}</p> <p>. . . . {and subsequently applying a cover (casing-in B42C 11/00)}</p> <p>. . . {manually (bookbinding presses B42C 13/003)}</p> <p>. . . {and applying a cover (casing-in B42C 11/00)}</p> <p>. {applying tape or covers precoated with adhesive to a stack of sheets (covers therefor B42D 3/002)}</p> <p>. . {the tape being fed from a roller}</p> <p>. . . {on a single stack of sheets}</p> <p>. . . {with a continuous flow of stacks of sheets}</p> <p>. {applying adhesive to individual sheets for binding them together (by fusing, welding B42C 9/0093)}</p> <p>. . {sheet shingling devices}</p> <p>. {by fusing, welding sheets together}</p> <p>. for securing back linings, strips, ribbons or headbands</p> <p>. . {for securing bookmarkers}</p> <p>Casing-in</p> <p>. Machines or equipment for casing-in or applying covers to pamphlets, magazines, pads, or other paper-covered booklets (B42C 11/06 takes precedence)</p> <p>. Machines or equipment for casing-in or applying covers to books (B42C 11/06 takes precedence)</p> <p>. . {Folding end sheets, attaching end sheets to book blocks}</p> <p>. Machines or equipment for casing-in by welding plastic materials</p> <p>Bookbinding presses (general features of presses B30B); Joint-creasing equipment for bookbinding; Drying or</p>
--	---

Here is where B42C9/0012 falls in the CPC Scheme.

Search Symbol

B42C9/0012

Scheme

Outline ON

- B42C 7/009
 - D** - B42C 9/00
 - D** - B42C 9/0006
 - B42C 9/0012
 - B42C 9/0018
 - B42C 9/0025
 - B42C 9/0031
 - B42C 9/0037
 - B42C 9/0043
 - B42C 9/005

. {Decorating book covers}

Applying glue or adhesive peculiar to bookbinding

- . {by applying adhesive to a stack of sheets}
- . . {with a roller (B42C 9/0043 takes precedence)}
- . . . {for binding stacks of sheets one at the time}
- {and subsequently applying a cover (casing-in B42C 11/00)}
- . . . {with continuous flow of stacks of sheets}
- {and subsequently applying a cover (casing-in B42C 11/00)}
- . . {manually (bookbinding presses B42C 13/003)}
- . . . {and applying a cover (casing-in B42C 11/00)}

We can search for patents related to CPC Symbol B24C9/0012 (from 1790 to present) by executing the following search: CPC/B24C9/0012

[USPTO PATENT FULL-TEXT AND IMAGE DATABASE](#)

[Home](#)
[Quick](#)
[Advanced](#)
[Pat Num](#)
[Help](#)

[View Cart](#)

Data current through October 16, 2018..

Query [\[Help\]](#)

Examples:
 ttl/(tennis and (racquet or racket))
 isd/1/8/2002 and motorcycle
 in/newmar-julie

Select Years [\[Help\]](#)

Patents from 1790 through 1975 are searchable only by Issue Date, Patent Number, and Current Classification (US, IPC, or CPC).
 When searching for specific numbers in the Patent Number field, utility patent numbers are entered as one to eight numbers in length, excluding commas (which are optional, as are leading zeroes).

Field Code	Field Name	Field Code	Field Name
PN	Patent Number	IN	Inventor Name
ISD	Issue Date	IC	Inventor City
TTL	Title	IS	Inventor State
ABST	Abstract	ICN	Inventor Country



Here is a closer view:

Query [[Help](#)]

CPC/B42C9/0012

Select Years [[Help](#)]

1790 to present [entire database] ▼

Our result set includes 49 granted United States patents

[USPTO PATENT FULL-TEXT AND IMAGE DATABASE](#)

[Home](#) [Quick](#) [Advanced](#) [Pat Num](#) [Help](#)

[Bottom](#) [View Cart](#)

Searching US Patent Collection...

Results of Search in US Patent Collection db for:
CPC/B42C9/0012: 49 patents.
Hits 1 through 49 out of 49

Jump To

Refine Search

PAT. NO.	Title
1 9,701,149	Bookbinding device having a glue cartridge and a glue cartridge receiving unit
2 9,616,698	Bookbinding apparatus
3 9,375,969	Method and device for exchanging an adhesive application roller
4 9,315,065	Glue application unit for perfect binding machine
5 9,242,499	Glue application unit for perfect binding machine
6 9,114,656	Method and device for exchanging an adhesive application roller
7 8,920,096	Book binding adhesive application controller
8 8,285,194	Bookbinding apparatus and image forming system
9 8,281,736	Adhesive applicator and bookbinder in bookbinding apparatus, and image-forming system associated therewith
10 7,699,572	Bookbinding apparatus and image forming system
11 7,448,837	Bookbinding apparatus
12 6,964,707	Adhesive coating device
13 6,908,513	Device for applying an adhesive to the spine of an inner book or to areas of the lateral faces adjacent thereto
14 6,565,658	Glue spreader



We can click on the link to either the patent number or the title to access the available text in html:

Refine Search

CPC/B42C9/0012

	PAT. NO.		Title
1	9,701,149		Bookbinding device having a glue cartridge and, a glue cartridge receiving unit
2	9,616,698		Bookbinding apparatus
3	9,375,969		Method and device for exchanging an adhesive application roller
4	9,315,065		Glue application unit for perfect binding machine
5	9,242,499		Glue application unit for perfect binding machine

Results are displayed in HTML with a link (Images) to access the published patent document

USPTO PATENT FULL-TEXT AND IMAGE DATABASE



(1 of 49)

United States Patent
Huotari

9,701,149
July 11, 2017

Bookbinding device having a glue cartridge and, a glue cartridge receiving unit

Abstract

A glue cartridge (130) comprises a glue tank (101), a rotatable glue spreading roller (104) connected to the glue tank, which is arranged directly below the glue tank (101) and at least one rotation means (106, 107) usable from outside the glue cartridge (130) for rotating the glue spreading roller (104). The glue spreading roller (104) of the glue cartridge is designed so that the form of the glue spreading roller (104) prevents glue from escaping from the glue tank (101) when the glue spreading roller (104) is in place and takes glue from the glue tank (101) when the glue spreading roller (104) is rotated. A block (1360) of sheets to be bound to form a book is set in a bookbinding device (1300), and glue is spread on the spine (1362) of the block (1360) in such a way that glue is obtainable from an exchangeable glue cartridge (130) by using a receiving unit (150) for the glue cartridge (130).



US09701149B2

(12) United States Patent (10) Patent No.: US 9,701,149 B2
Huotari (45) Date of Patent: Jul. 11, 2017

(54) BOOKBINDING DEVICE HAVING A GLUE CARTRIDGE AND, A GLUE CARTRIDGE RECEIVING UNIT (55) Field of Classification Search
CPC B42C 9/00; B42C 3/0012; B42C 9/0043 (Continued)

(71) Applicant: **Maipio Kommandittiyhtiö L. Huotari**, Espoo (FI) (56) References Cited
U.S. PATENT DOCUMENTS

(72) Inventor: **Isakki Huotari**, Espoo (FI) 4,376,668 A 3/1983 Lami et al. B42C 5/00 5,221,112 A * 6/1993 Holmberg B42C 5/00 412.37
(73) Assignee: **Maipio Kommandittiyhtiö L. Huotari** (FI) 2005/0152771 A1* 7/2005 Huotari B43 9/0018 412.37

(*) Notice: Subject to any disclaimer, the term of this patent is extended or adjusted under 35 U.S.C. 154(b) by 350 days.

(21) Appl. No.: 14/975,635 FOREIGN PATENT DOCUMENTS
IT EP 1876031 A1 * 1/2008 B42C 9/0012
IT EP 2133213 A1 * 12/2009 B42C 9/00 (Continued)

(22) PCT Filed: Feb. 4, 2013 OTHER PUBLICATIONS
(86) PCT No.: PCT/IB2013/050927 International Search Report for PCT Application PCT/IB2013/050927, EP, Apr. 18, 2015.

(87) PCT Pub. No.: WO2013/114344 PCT Pub. Date: Aug. 8, 2013
Primary Examiner — Kyle Grabowski












(65) Prior Publication Data (57) ABSTRACT
US 2015/0023766 A1 Jan. 22, 2015
A glue cartridge (130) comprises a glue tank (101), a rotatable glue spreading roller (104) connected to the glue tank, which is arranged directly below the glue tank (101) and at least one rotation means (106, 107) usable from outside the glue cartridge (130) for rotating the glue spreading roller (104). The glue spreading roller (104) of the glue cartridge is designed so that the form of the glue spreading roller (104) prevents glue from escaping from the glue tank (101) when the glue spreading roller (104) is in place and takes glue from the glue tank (101) when the glue spreading roller (104) is rotated. A block (1360) of sheets to be bound to form a book is set in a bookbinding device (1300), and glue is spread on the spine (1362) of the block (1360) in such a way that glue is obtainable from an exchangeable glue cartridge (130) by using a receiving unit (150) for the glue cartridge (130).

(30) Foreign Application Priority Data
Feb. 4, 2012 (EP) 12153960

(51) Int. Cl. (2006.01)
B42C 9/00 (2006.01)
B42C 1/00 (2006.01)
B42C 1/08 (2006.01)

(52) U.S. Cl. (2013.01); B42C 9/0012 (2013.01); B42C 1/003 (2013.01); B42C 1/006 (2013.01); B42C 1/008 (2013.01); B42C 1/009 (2013.01); B42C 1/010 (2013.01); B42C 1/011 (2013.01); B42C 1/012 (2013.01); B42C 1/013 (2013.01); B42C 1/014 (2013.01); B42C 1/015 (2013.01); B42C 1/016 (2013.01); B42C 1/017 (2013.01); B42C 1/018 (2013.01); B42C 1/019 (2013.01); B42C 1/020 (2013.01); B42C 1/021 (2013.01); B42C 1/022 (2013.01); B42C 1/023 (2013.01); B42C 1/024 (2013.01); B42C 1/025 (2013.01); B42C 1/026 (2013.01); B42C 1/027 (2013.01); B42C 1/028 (2013.01); B42C 1/029 (2013.01); B42C 1/030 (2013.01); B42C 1/031 (2013.01); B42C 1/032 (2013.01); B42C 1/033 (2013.01); B42C 1/034 (2013.01); B42C 1/035 (2013.01); B42C 1/036 (2013.01); B42C 1/037 (2013.01); B42C 1/038 (2013.01); B42C 1/039 (2013.01); B42C 1/040 (2013.01); B42C 1/041 (2013.01); B42C 1/042 (2013.01); B42C 1/043 (2013.01); B42C 1/044 (2013.01); B42C 1/045 (2013.01); B42C 1/046 (2013.01); B42C 1/047 (2013.01); B42C 1/048 (2013.01); B42C 1/049 (2013.01); B42C 1/050 (2013.01); B42C 1/051 (2013.01); B42C 1/052 (2013.01); B42C 1/053 (2013.01); B42C 1/054 (2013.01); B42C 1/055 (2013.01); B42C 1/056 (2013.01); B42C 1/057 (2013.01); B42C 1/058 (2013.01); B42C 1/059 (2013.01); B42C 1/060 (2013.01); B42C 1/061 (2013.01); B42C 1/062 (2013.01); B42C 1/063 (2013.01); B42C 1/064 (2013.01); B42C 1/065 (2013.01); B42C 1/066 (2013.01); B42C 1/067 (2013.01); B42C 1/068 (2013.01); B42C 1/069 (2013.01); B42C 1/070 (2013.01); B42C 1/071 (2013.01); B42C 1/072 (2013.01); B42C 1/073 (2013.01); B42C 1/074 (2013.01); B42C 1/075 (2013.01); B42C 1/076 (2013.01); B42C 1/077 (2013.01); B42C 1/078 (2013.01); B42C 1/079 (2013.01); B42C 1/080 (2013.01); B42C 1/081 (2013.01); B42C 1/082 (2013.01); B42C 1/083 (2013.01); B42C 1/084 (2013.01); B42C 1/085 (2013.01); B42C 1/086 (2013.01); B42C 1/087 (2013.01); B42C 1/088 (2013.01); B42C 1/089 (2013.01); B42C 1/090 (2013.01); B42C 1/091 (2013.01); B42C 1/092 (2013.01); B42C 1/093 (2013.01); B42C 1/094 (2013.01); B42C 1/095 (2013.01); B42C 1/096 (2013.01); B42C 1/097 (2013.01); B42C 1/098 (2013.01); B42C 1/099 (2013.01); B42C 1/100 (2013.01); B42C 1/101 (2013.01); B42C 1/102 (2013.01); B42C 1/103 (2013.01); B42C 1/104 (2013.01); B42C 1/105 (2013.01); B42C 1/106 (2013.01); B42C 1/107 (2013.01); B42C 1/108 (2013.01); B42C 1/109 (2013.01); B42C 1/110 (2013.01); B42C 1/111 (2013.01); B42C 1/112 (2013.01); B42C 1/113 (2013.01); B42C 1/114 (2013.01); B42C 1/115 (2013.01); B42C 1/116 (2013.01); B42C 1/117 (2013.01); B42C 1/118 (2013.01); B42C 1/119 (2013.01); B42C 1/120 (2013.01); B42C 1/121 (2013.01); B42C 1/122 (2013.01); B42C 1/123 (2013.01); B42C 1/124 (2013.01); B42C 1/125 (2013.01); B42C 1/126 (2013.01); B42C 1/127 (2013.01); B42C 1/128 (2013.01); B42C 1/129 (2013.01); B42C 1/130 (2013.01); B42C 1/131 (2013.01); B42C 1/132 (2013.01); B42C 1/133 (2013.01); B42C 1/134 (2013.01); B42C 1/135 (2013.01); B42C 1/136 (2013.01); B42C 1/137 (2013.01); B42C 1/138 (2013.01); B42C 1/139 (2013.01); B42C 1/140 (2013.01); B42C 1/141 (2013.01); B42C 1/142 (2013.01); B42C 1/143 (2013.01); B42C 1/144 (2013.01); B42C 1/145 (2013.01); B42C 1/146 (2013.01); B42C 1/147 (2013.01); B42C 1/148 (2013.01); B42C 1/149 (2013.01); B42C 1/150 (2013.01); B42C 1/151 (2013.01); B42C 1/152 (2013.01); B42C 1/153 (2013.01); B42C 1/154 (2013.01); B42C 1/155 (2013.01); B42C 1/156 (2013.01); B42C 1/157 (2013.01); B42C 1/158 (2013.01); B42C 1/159 (2013.01); B42C 1/160 (2013.01); B42C 1/161 (2013.01); B42C 1/162 (2013.01); B42C 1/163 (2013.01); B42C 1/164 (2013.01); B42C 1/165 (2013.01); B42C 1/166 (2013.01); B42C 1/167 (2013.01); B42C 1/168 (2013.01); B42C 1/169 (2013.01); B42C 1/170 (2013.01); B42C 1/171 (2013.01); B42C 1/172 (2013.01); B42C 1/173 (2013.01); B42C 1/174 (2013.01); B42C 1/175 (2013.01); B42C 1/176 (2013.01); B42C 1/177 (2013.01); B42C 1/178 (2013.01); B42C 1/179 (2013.01); B42C 1/180 (2013.01); B42C 1/181 (2013.01); B42C 1/182 (2013.01); B42C 1/183 (2013.01); B42C 1/184 (2013.01); B42C 1/185 (2013.01); B42C 1/186 (2013.01); B42C 1/187 (2013.01); B42C 1/188 (2013.01); B42C 1/189 (2013.01); B42C 1/190 (2013.01); B42C 1/191 (2013.01); B42C 1/192 (2013.01); B42C 1/193 (2013.01); B42C 1/194 (2013.01); B42C 1/195 (2013.01); B42C 1/196 (2013.01); B42C 1/197 (2013.01); B42C 1/198 (2013.01); B42C 1/199 (2013.01); B42C 1/200 (2013.01); B42C 1/201 (2013.01); B42C 1/202 (2013.01); B42C 1/203 (2013.01); B42C 1/204 (2013.01); B42C 1/205 (2013.01); B42C 1/206 (2013.01); B42C 1/207 (2013.01); B42C 1/208 (2013.01); B42C 1/209 (2013.01); B42C 1/210 (2013.01); B42C 1/211 (2013.01); B42C 1/212 (2013.01); B42C 1/213 (2013.01); B42C 1/214 (2013.01); B42C 1/215 (2013.01); B42C 1/216 (2013.01); B42C 1/217 (2013.01); B42C 1/218 (2013.01); B42C 1/219 (2013.01); B42C 1/220 (2013.01); B42C 1/221 (2013.01); B42C 1/222 (2013.01); B42C 1/223 (2013.01); B42C 1/224 (2013.01); B42C 1/225 (2013.01); B42C 1/226 (2013.01); B42C 1/227 (2013.01); B42C 1/228 (2013.01); B42C 1/229 (2013.01); B42C 1/230 (2013.01); B42C 1/231 (2013.01); B42C 1/232 (2013.01); B42C 1/233 (2013.01); B42C 1/234 (2013.01); B42C 1/235 (2013.01); B42C 1/236 (2013.01); B42C 1/237 (2013.01); B42C 1/238 (2013.01); B42C 1/239 (2013.01); B42C 1/240 (2013.01); B42C 1/241 (2013.01); B42C 1/242 (2013.01); B42C 1/243 (2013.01); B42C 1/244 (2013.01); B42C 1/245 (2013.01); B42C 1/246 (2013.01); B42C 1/247 (2013.01); B42C 1/248 (2013.01); B42C 1/249 (2013.01); B42C 1/250 (2013.01); B42C 1/251 (2013.01); B42C 1/252 (2013.01); B42C 1/253 (2013.01); B42C 1/254 (2013.01); B42C 1/255 (2013.01); B42C 1/256 (2013.01); B42C 1/257 (2013.01); B42C 1/258 (2013.01); B42C 1/259 (2013.01); B42C 1/260 (2013.01); B42C 1/261 (2013.01); B42C 1/262 (2013.01); B42C 1/263 (2013.01); B42C 1/264 (2013.01); B42C 1/265 (2013.01); B42C 1/266 (2013.01); B42C 1/267 (2013.01); B42C 1/268 (2013.01); B42C 1/269 (2013.01); B42C 1/270 (2013.01); B42C 1/271 (2013.01); B42C 1/272 (2013.01); B42C 1/273 (2013.01); B42C 1/274 (2013.01); B42C 1/275 (2013.01); B42C 1/276 (2013.01); B42C 1/277 (2013.01); B42C 1/278 (2013.01); B42C 1/279 (2013.01); B42C 1/280 (2013.01); B42C 1/281 (2013.01); B42C 1/282 (2013.01); B42C 1/283 (2013.01); B42C 1/284 (2013.01); B42C 1/285 (2013.01); B42C 1/286 (2013.01); B42C 1/287 (2013.01); B42C 1/288 (2013.01); B42C 1/289 (2013.01); B42C 1/290 (2013.01); B42C 1/291 (2013.01); B42C 1/292 (2013.01); B42C 1/293 (2013.01); B42C 1/294 (2013.01); B42C 1/295 (2013.01); B42C 1/296 (2013.01); B42C 1/297 (2013.01); B42C 1/298 (2013.01); B42C 1/299 (2013.01); B42C 1/300 (2013.01); B42C 1/301 (2013.01); B42C 1/302 (2013.01); B42C 1/303 (2013.01); B42C 1/304 (2013.01); B42C 1/305 (2013.01); B42C 1/306 (2013.01); B42C 1/307 (2013.01); B42C 1/308 (2013.01); B42C 1/309 (2013.01); B42C 1/310 (2013.01); B42C 1/311 (2013.01); B42C 1/312 (2013.01); B42C 1/313 (2013.01); B42C 1/314 (2013.01); B42C 1/315 (2013.01); B42C 1/316 (2013.01); B42C 1/317 (2013.01); B42C 1/318 (2013.01); B42C 1/319 (2013.01); B42C 1/320 (2013.01); B42C 1/321 (2013.01); B42C 1/322 (2013.01); B42C 1/323 (2013.01); B42C 1/324 (2013.01); B42C 1/325 (2013.01); B42C 1/326 (2013.01); B42C 1/327 (2013.01); B42C 1/328 (2013.01); B42C 1/329 (2013.01); B42C 1/330 (2013.01); B42C 1/331 (2013.01); B42C 1/332 (2013.01); B42C 1/333 (2013.01); B42C 1/334 (2013.01); B42C 1/335 (2013.01); B42C 1/336 (2013.01); B42C 1/337 (2013.01); B42C 1/338 (2013.01); B42C 1/339 (2013.01); B42C 1/340 (2013.01); B42C 1/341 (2013.01); B42C 1/342 (2013.01); B42C 1/343 (2013.01); B42C 1/344 (2013.01); B42C 1/345 (2013.01); B42C 1/346 (2013.01); B42C 1/347 (2013.01); B42C 1/348 (2013.01); B42C 1/349 (2013.01); B42C 1/350 (2013.01); B42C 1/351 (2013.01); B42C 1/352 (2013.01); B42C 1/353 (2013.01); B42C 1/354 (2013.01); B42C 1/355 (2013.01); B42C 1/356 (2013.01); B42C 1/357 (2013.01); B42C 1/358 (2013.01); B42C 1/359 (2013.01); B42C 1/360 (2013.01); B42C 1/361 (2013.01); B42C 1/362 (2013.01); B42C 1/363 (2013.01); B42C 1/364 (2013.01); B42C 1/365 (2013.01); B42C 1/366 (2013.01); B42C 1/367 (2013.01); B42C 1/368 (2013.01); B42C 1/369 (2013.01); B42C 1/370 (2013.01); B42C 1/371 (2013.01); B42C 1/372 (2013.01); B42C 1/373 (2013.01); B42C 1/374 (2013.01); B42C 1/375 (2013.01); B42C 1/376 (2013.01); B42C 1/377 (2013.01); B42C 1/378 (2013.01); B42C 1/379 (2013.01); B42C 1/380 (2013.01); B42C 1/381 (2013.01); B42C 1/382 (2013.01); B42C 1/383 (2013.01); B42C 1/384 (2013.01); B42C 1/385 (2013.01); B42C 1/386 (2013.01); B42C 1/387 (2013.01); B42C 1/388 (2013.01); B42C 1/389 (2013.01); B42C 1/390 (2013.01); B42C 1/391 (2013.01); B42C 1/392 (2013.01); B42C 1/393 (2013.01); B42C 1/394 (2013.01); B42C 1/395 (2013.01); B42C 1/396 (2013.01); B42C 1/397 (2013.01); B42C 1/398 (2013.01); B42C 1/399 (2013.01); B42C 1/400 (2013.01); B42C 1/401 (2013.01); B42C 1/402 (2013.01); B42C 1/403 (2013.01); B42C 1/404 (2013.01); B42C 1/405 (2013.01); B42C 1/406 (2013.01); B42C 1/407 (2013.01); B42C 1/408 (2013.01); B42C 1/409 (2013.01); B42C 1/410 (2013.01); B42C 1/411 (2013.01); B42C 1/412 (2013.01); B42C 1/413 (2013.01); B42C 1/414 (2013.01); B42C 1/415 (2013.01); B42C 1/416 (2013.01); B42C 1/417 (2013.01); B42C 1/418 (2013.01); B42C 1/419 (2013.01); B42C 1/420 (2013.01); B42C 1/421 (2013.01); B42C 1/422 (2013.01); B42C 1/423 (2013.01); B42C 1/424 (2013.01); B42C 1/425 (2013.01); B42C 1/426 (2013.01); B42C 1/427 (2013.01); B42C 1/428 (2013.01); B42C 1/429 (2013.01); B42C 1/430 (2013.01); B42C 1/431 (2013.01); B42C 1/432 (2013.01); B42C 1/433 (2013.01); B42C 1/434 (2013.01); B42C 1/435 (2013.01); B42C 1/436 (2013.01); B42C 1/437 (2013.01); B42C 1/438 (2013.01); B42C 1/439 (2013.01); B42C 1/440 (2013.01); B42C 1/441 (2013.01); B42C 1/442 (2013.01); B42C 1/443 (2013.01); B42C 1/444 (2013.01); B42C 1/445 (2013.01); B42C 1/446 (2013.01); B42C 1/447 (2013.01); B42C 1/448 (2013.01); B42C 1/449 (2013.01); B42C 1/450 (2013.01); B42C 1/451 (2013.01); B42C 1/452 (2013.01); B42C 1/453 (2013.01); B42C 1/454 (2013.01); B42C 1/455 (2013.01); B42C 1/456 (2013.01); B42C 1/457 (2013.01); B42C 1/458 (2013.01); B42C 1/459 (2013.01); B42C 1/460 (2013.01); B42C 1/461 (2013.01); B42C 1/462 (2013.01); B42C 1/463 (2013.01); B42C 1/464 (2013.01); B42C 1/465 (2013.01); B42C 1/466 (2013.01); B42C 1/467 (2013.01); B42C 1/468 (2013.01); B42C 1/469 (2013.01); B42C 1/470 (2013.01); B42C 1/471 (2013.01); B42C 1/472 (2013.01); B42C 1/473 (2013.01); B42C 1/474 (2013.01); B42C 1/475 (2013.01); B42C 1/476 (2013.01); B42C 1/477 (2013.01); B42C 1/478 (2013.01); B42C 1/479 (2013.01); B42C 1/480 (2013.01); B42C 1/481 (2013.01); B42C 1/482 (2013.01); B42C 1/483 (2013.01); B42C 1/484 (2013.01); B42C 1/485 (2013.01); B42C 1/486 (2013.01); B42C 1/487 (2013.01); B42C 1/488 (2013.01); B42C 1/489 (2013.01); B42C 1/490 (2013.01); B42C 1/491 (2013.01); B42C 1/492 (2013.01); B42C 1/493 (2013.01); B42C 1/494 (2013.01); B42C 1/495 (2013.01); B42C 1/496 (2013.01); B42C 1/497 (2013.01); B42C 1/498 (2013.01); B42C 1/499 (2013.01); B42C 1/500 (2013.01); B42C 1/501 (2013.01); B42C 1/502 (2013.01); B42C 1/503 (2013.01); B42C 1/504 (2013.01); B42C 1/505 (2013.01); B42C 1/506 (2013.01); B42C 1/507 (2013.01); B42C 1/508 (2013.01); B42C 1/509 (2013.01); B42C 1/510 (2013.01); B42C 1/511 (2013.01); B42C 1/512 (2013.01); B42C 1/513 (2013.01); B42C 1/514 (2013.01); B42C 1/515 (2013.01); B42C 1/516 (2013.01); B42C 1/517 (2013.01); B42C 1/518 (2013.01); B42C 1/519 (2013.01); B42C 1/520 (2013.01); B42C 1/521 (2013.01); B42C 1/522 (2013.01); B42C 1/523 (2013.01); B42C 1/524 (2013.01); B42C 1/525 (2013.01); B42C 1/526 (2013.01); B42C 1/527 (2013.01); B42C 1/528 (2013.01); B42C 1/529 (2013.01); B42C 1/530 (2013.01); B42C 1/531 (2013.01); B42C 1/532 (2013.01); B42C 1/533 (2013.01); B42C 1/534 (2013.01); B42C 1/535 (2013.01); B42

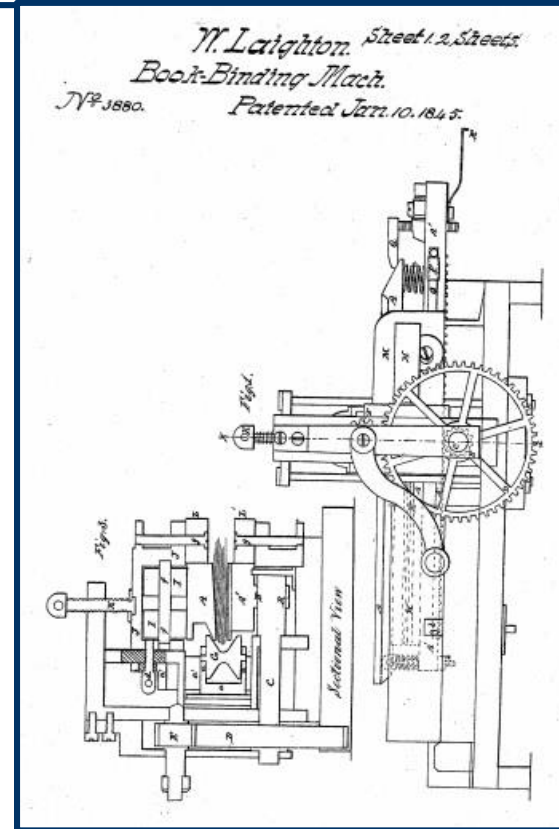
Older patent documents will have only limited html (number, date of issue, classification symbols) and no title link to the document:

27	4,376,008		Apparatus for binding sheets of paper
28	4,332,212		Applicator for normally viscous substances
29	4,310,576		Adhesive-applying apparatus and method
30	4,249,984		Gumming apparatus
31	4,117,800		Device for spreading glue
32	4,106,148		Method of binding papers
33	3,310,028		118/227 118/259 118/261 118/602
34	3,103,689		401/2 401/183 401/208 401/219
35	3,030,916		118/252 118/261
36	2,868,160		118/202 118/259
37	2,824,541		118/692 118/202 156/578 412/21 412/37

Note that US 4,106,148 issued in 1978, whereas US 3,310,028 issued in 1967.

II. The Historic Collections

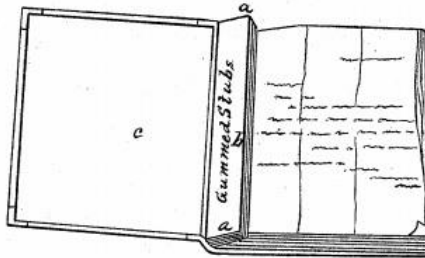
- A. Patents granted under the 1790 and 1793 Patent Acts
- B. The X-Patents
- C. Patents granted under the 1836 Act
- D. Additional improvement patents, design patents, and plant patents



It is fascinating to see how U.S. Patent documents have changed over the decades:

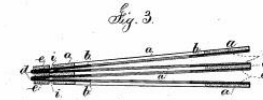
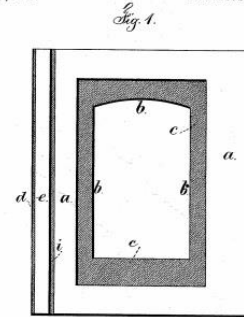
1853

H. L. Smith.
Temporary Binder.
N^o 9,770. Patented Jun. 7, 1853.



1875

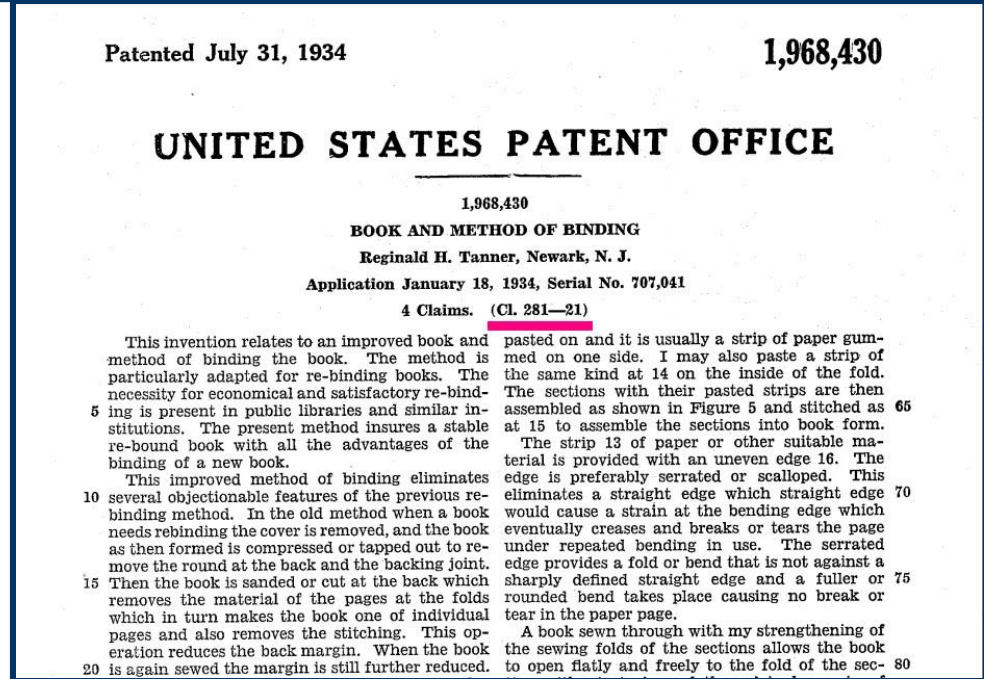
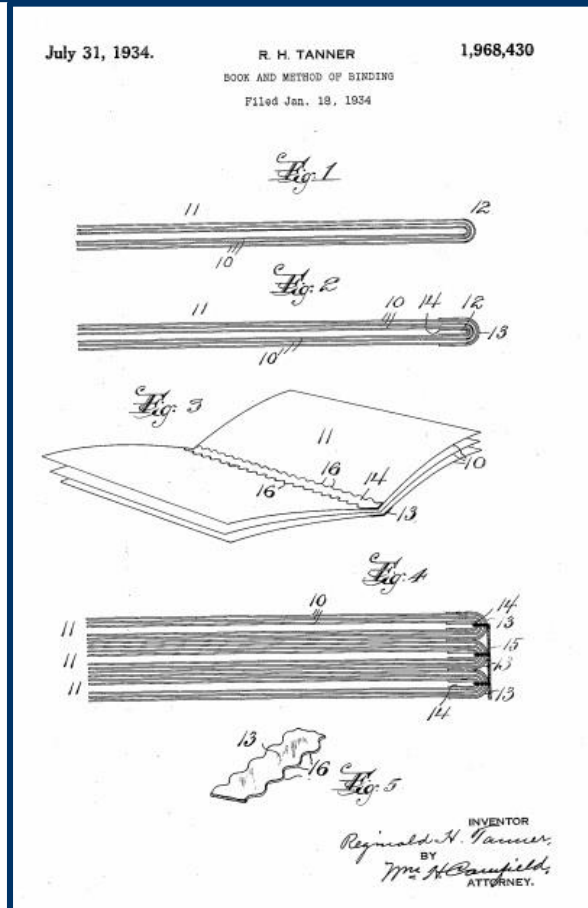
H. T. ANTHONY.
PHOTOGRAPH-ALBUM.
No. 170,042. Patented Nov. 16, 1875.



Witnesses,
Charles Smith
Richard Smith
Inventor,
Hony. S. Anthony
J. L. M. Small atty

uspto

Basic classification information (US Class and Subclass) was added to patent documents in the early 1930s:



US Patent Classification 281 is Books, Strips, and Leaves, then Subclass 21 (now 21.1) indicates Binding. Note that USPC is a static collection.



Additional classification information began appearing on patent documents in the early 1970s:

United States Patent [19] [11] **3,833,244**
Heimann [45] **Sept. 3, 1974**

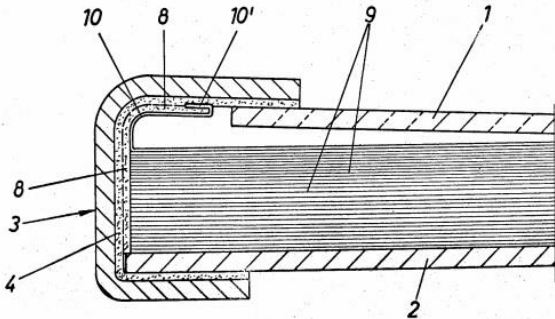
[54] **ADHESIVE BINDING COVER** 6,711,263 2/1969 Netherlands..... 281/21 R
 [76] Inventor: **Egon Heimann**, Falkenberg 61, 56, Wuppertal-Elberfeld, Germany
 [22] Filed: **Apr. 2, 1973**
 [21] Appl. No.: **346,887**
Related U.S. Application Data
 [63] Continuation of Ser. No. 97,412, Dec. 3, 1970, abandoned.
 [52] U.S. Cl. **281/21 R, 281/29**
 [51] Int. Cl. **B42d 1/04**
 [58] Field of Search 281/21 R, 29
References Cited
UNITED STATES PATENTS
 3,188,114 6/1965 O'Brien et al. 281/21 R
 3,210,093 10/1965 Steidinger 281/21 R
FOREIGN PATENTS OR APPLICATIONS
 1,282,002 11/1968 Germany..... 281/21 R
3 Claims, 8 Drawing Figures

Primary Examiner—Jerome Schnall
Attorney, Agent, or Firm—Spencer & Kaye

[57] **ABSTRACT**
 Adhesive binding folder for binding loose sheets with two outside enclosing covers, joined to each other by a back strip which carries a double self adhesive layer against which the narrow rear edges of the bound inner sheets are positioned. The layer includes a removable strip to expose the adhesive and thereby adhere to the sheets. An inner protective sheet for the purpose of attachment penetrates with a narrow margin into the contact interface of the self adhesive layer. Said sheet serves to cover the self-adhesive layer laid bare by pulling out individual sheets.

281/21.1; 281/29
B42D 3/002 (20130101)
B42D 3/00 (20060101); B42d 001/04 ()
;281/21R,29

Up-to-date classification information can be found in the HTML results.

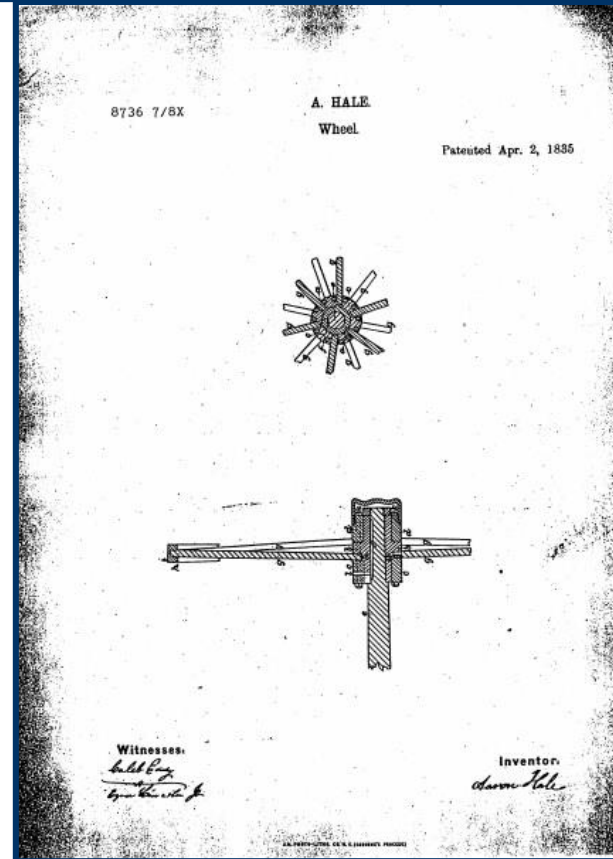


The following are some of the major Nineteenth Century Statutes that impacted the Patent Office and its Publications:

- **Patent Act of 1790.** Act of April 10, 1790, 1 Stat. 109.
- **Patent Act of 1793,** Act of February 21, 1793, 1 Stat. 318.
- **Patent Act of 1836,** Act of July 4, 1836, 5 Stat. 117.
- **Design Patent Act of 1842,** Act of August 29, 1842, 5 Stat. 543.
- **1870 Trademark Act,** Act of July 8, 1870, 16 Stat. 198.

In the early years of the Republic, Congress passed two Acts pursuant to U.S. Const. Art I, § 8, cl. 8

- Patent Act of 1790
 - Substantive examination for Usefulness
 - Examined by the Patent Board
- Patent Act of 1793
 - No substantive examination
 - Merits of a patent were resolved when the courts resolved Infringement Claims



Wheels and
Axels, Aaron
Hale of
Boston,
Mass.

Patents under the 1790 and 1793 Acts were arranged by name and date and were called "Name and Date Patents."

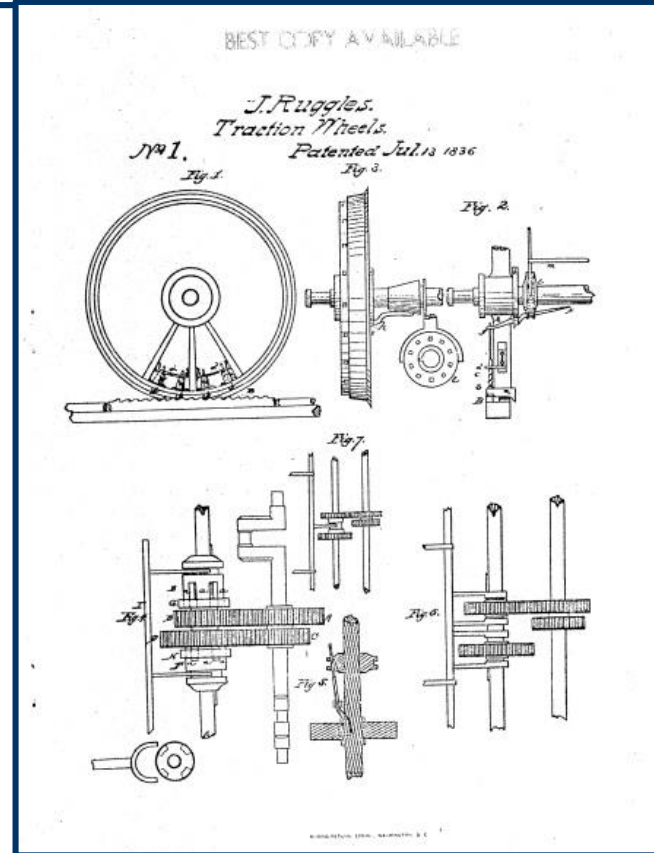
- A December 15, 1836 fire destroyed the Name and Date Patents.
- The collection was partially reconstructed pursuant to the 1837 Patent Act.
- The Collection was retrospectively renumbered as "X-Patents."
- X-Patents often consist of partial records.



The Patent Act of 1836 created a modern Patent Office and required examination of patents for Novelty and Utility

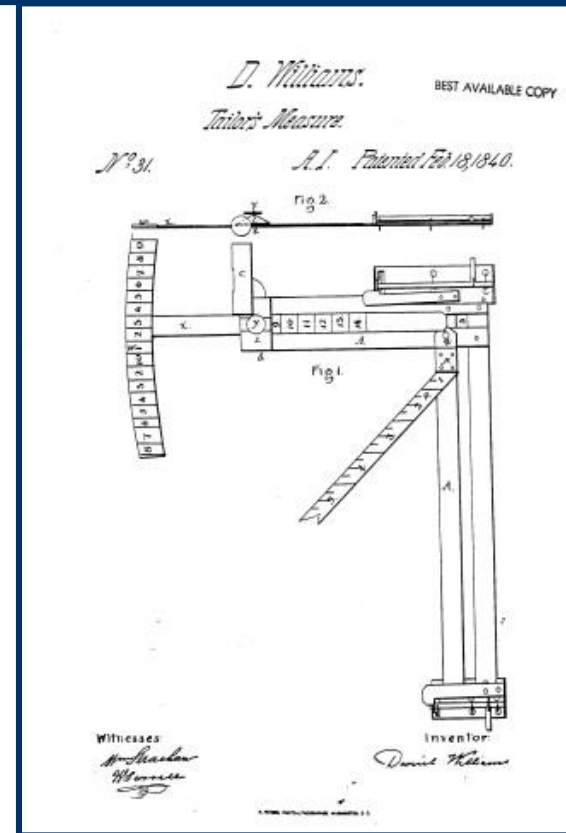
In addition to numbered utility patents, the 1836 Act authorized:

- Reissue Patents
- Additional Improvement Patents
- Patent Caveats

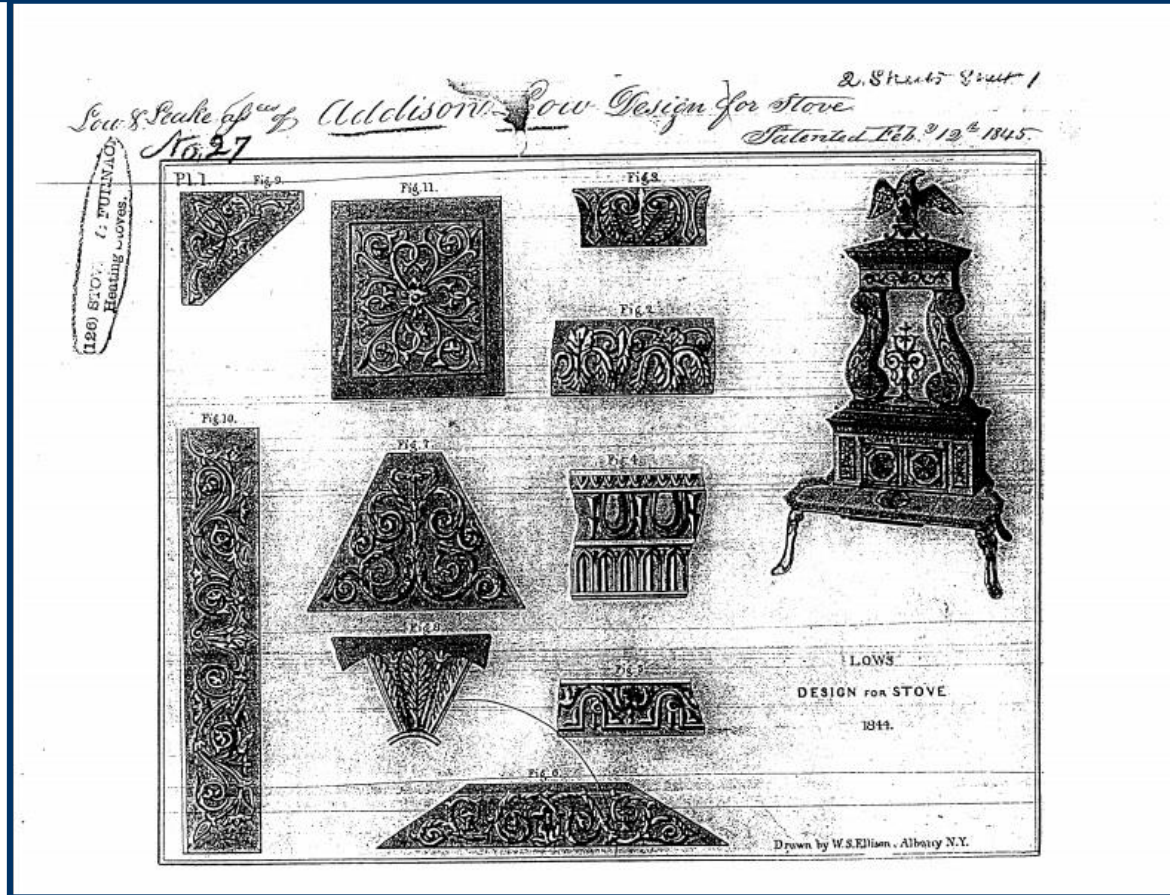


Additional Improvement Patents

- Additional Improvement (AI) Patents Authorized under Section 13 of the 1836 Act
- Inventors could file an AI Patent to have a previously-filed Specification reflect improvements to an invention
- AI patents were filed between 1837 and 1861



Design Patents were authorized under an 1842 Act



A Design Patent only has one claim, as we see in D668,288



US00D668288S

(12) **United States Design Patent** (10) **Patent No.:** **US D668,288 S**
Chiang (45) **Date of Patent:** **** Oct. 2, 2012**

(54) **BOOKBINDING MACHINE** 7,584,878 B2* 9/2009 Kandasamy 227/120
D628,235 S * 11/2010 Huotari et al. D18/34.1
(75) **Inventor:** **Chou-Chih Chiang, Taichung (TW)** D636,432 S * 4/2011 Huotari et al. D18/34.1
D643,463 S * 8/2011 Sakurai D18/53
(73) **Assignee:** **Innostar Technology Pte Ltd, Hume** 2003/0185654 A1* 10/2003 Rather 412/37
(SG) 2003/0215309 A1* 11/2003 Engert et al. 412/33

(**) **Term:** **14 Years** FOREIGN PATENT DOCUMENTS
EM 001913518-0001 * 9/2011
* cited by examiner

(21) **Appl. No.:** **29/401,566** *Primary Examiner* — Bridget L. Eland
(74) *Attorney, Agent, or Firm* — Chun-Ming Shih

(22) **Filed:** **Sep. 12, 2011**

(51) **LOC (9) CL** **18-04**

(52) **U.S. CL** **D18/34.1**

(58) **Field of Classification Search** **D18/34.1,**
D18/34.2, 34.9, 50, 53; D19/65-69; 156/908;
412/9, 33-43

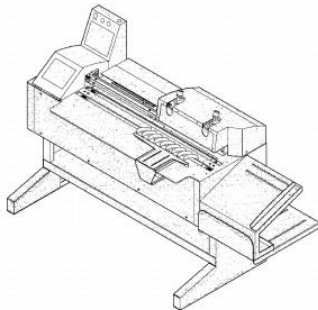
See application file for complete search history.

(56) **References Cited**

U.S. PATENT DOCUMENTS

3,879,783 A * 4/1975 Giudie 412/43
D261,530 S * 10/1981 Hausmann D18/34.2
D284,870 S * 7/1986 Terraciano D18/34.2
D407,740 S * 4/1999 Ina et al. D18/53
D464,080 S * 10/2002 Yamano et al. D18/53
D529,545 S * 10/2006 Kimura et al. D18/53
7,393,171 B2* 7/2008 Fu 412/5

1 Claim, 10 Drawing Sheets



(57)

CLAIM

The ornamental design for a bookbinding machine, as shown.

DESCRIPTION

FIG. 1 is a front right perspective view of a bookbinding machine showing my new design;

FIG. 2 is a front elevation view thereof;

FIG. 3 is a rear elevation view thereof;

FIG. 4 is a left side elevation view thereof;

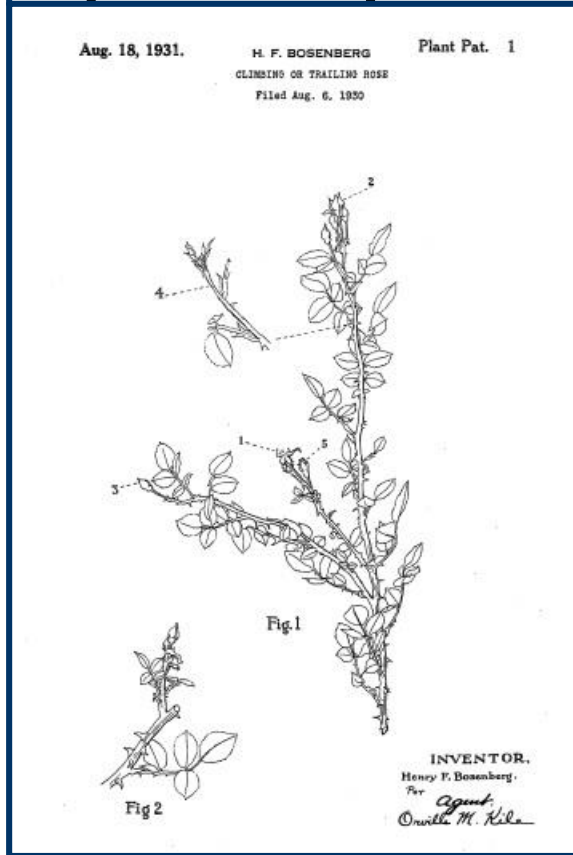
FIG. 5 is a right side elevation view thereof;

FIG. 6 is a top plan view thereof;

FIG. 7 is a bottom plan view thereof;

FIG. 8 is a front left perspective view thereof;

Plant Patent Act of 1930 (June 17, 1930), 46 Stat. 376 provided intellectual property protection for asexually reproduced plants.



Variety of Raspberry plant named 'Rafzaqu'

III. Other USPTO Publications

- **Official Gazette
(1872 to Present)**
- **Trademark
Registration Records
(1870 to Present)**



GPO's Service Mark registration number 4447221 used in connection with "Library Services, namely, providing information and publications from the Federal Government ... " and featuring an eagle and an opened book.

The record for Service Mark reg. no. 4447221:

TSDR

ASSIGN Status

TTAB Status

(Use the "Back" button of the Internet Browser to return to TESS)



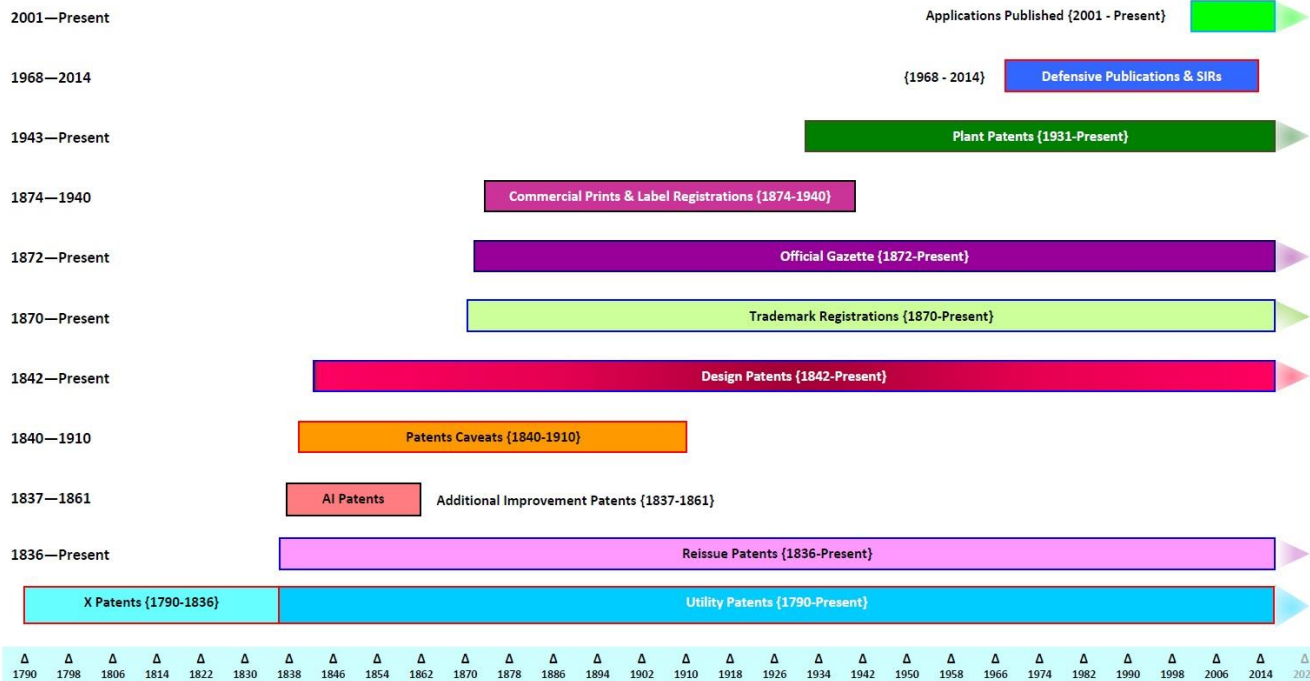
Goods and Services	IC 041. US 100 101 107. G & S: Library Services, namely, providing information and publications from the Federal Government on various subjects to libraries in the United States and its territories. FIRST USE: 19770930. FIRST USE IN COMMERCE: 19770930
Mark Drawing Code	(2) DESIGN ONLY
Design Search Code	03.15.01 - Eagles 03.15.24 - Stylized birds and bats 20.05.05 - Bibles (open); Books that are open; Cook books (open); Encyclopedias (open)
Serial Number	85905883
Filing Date	April 16, 2013
Current Basis	1A
Original Filing Basis	1A
Published for Opposition	September 24, 2013
Registration Number	4447221
Registration Date	December 10, 2013
Owner	(REGISTRANT) United States Government Printing Office FEDERAL AGENCY UNITED STATES Mail Stop: GC 732 North Capitol Street Washington D.C. 20401
Attorney of Record	LaTonya Hayes
Description of Mark	The color(s) red, white, and blue is/are claimed as a feature of the mark. The mark consists of a rounded white eagle surrounding a white-outlined red book. The entire image has a blue shield shaped background.
Type of Mark	SERVICE MARK
Register	PRINCIPAL
Live/Dead Indicator	LIVE

uspto

Major USPTO Publications are covered in this handout:

Patent and Trademark Documents Timeline:

A Visual History of Major United States Patent and Trademark Office Documents



Patent Office Fire (December 15, 1836)

Questions?

Rob Berry
(571) 272-7152
robert.berry@uspto.gov



